

We Build the Attic; Why Not Live There?



© 2005 Building Science Corporation



© 2005 Building Science Corporation



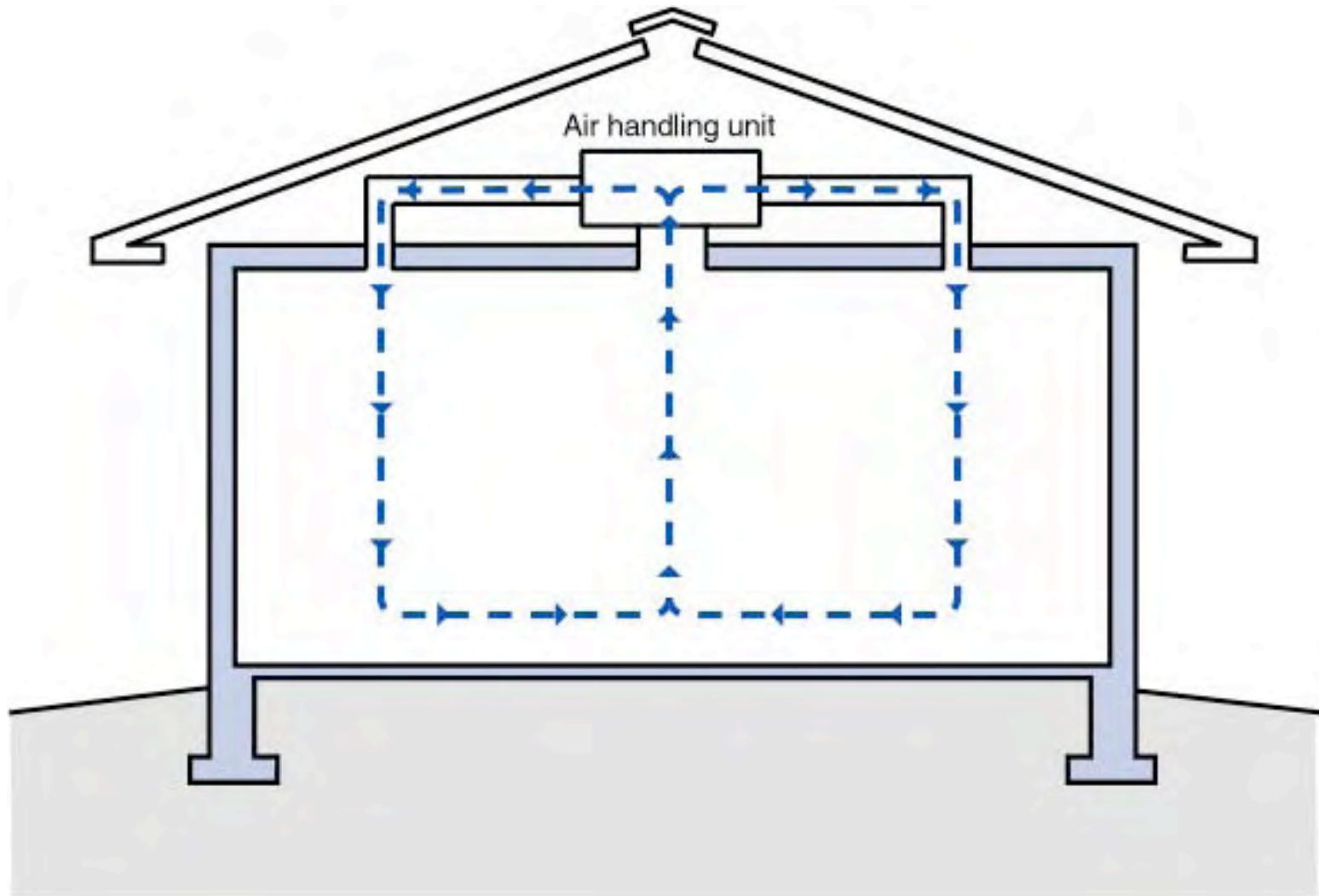
9. Rain and Snow Entry

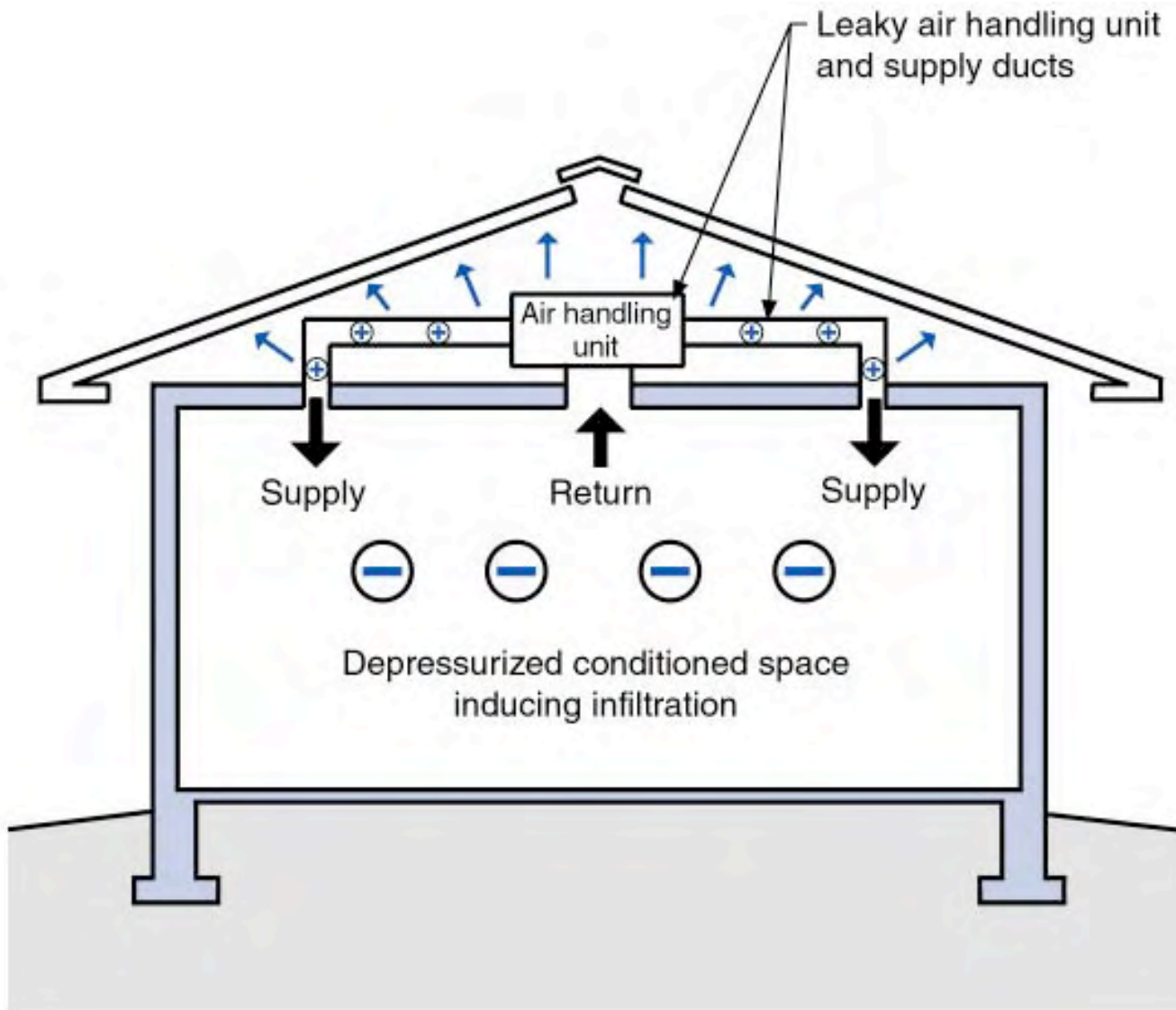


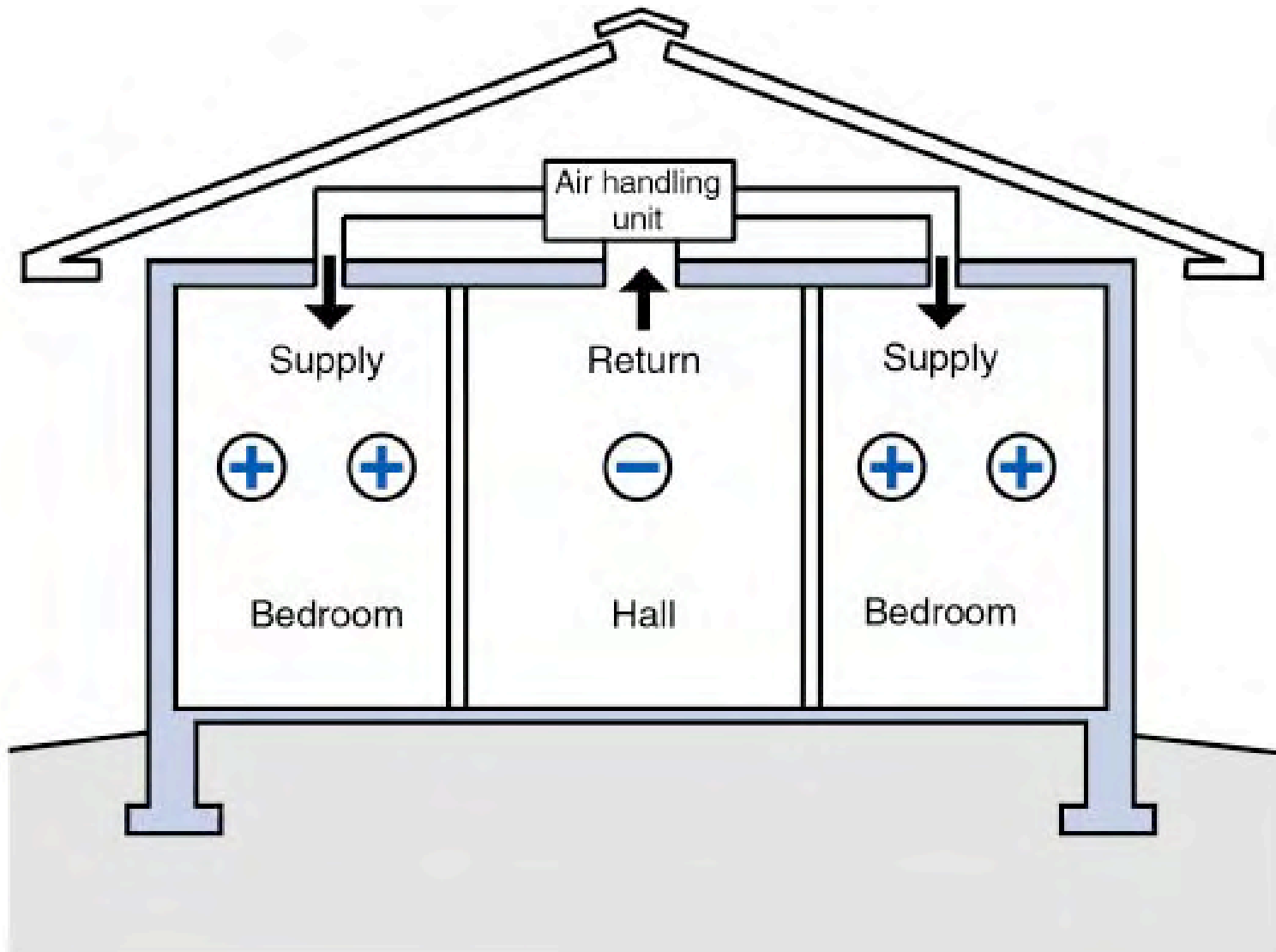
Ice dam due to heat loss from second floor melting snow that re-freezes over unheated roof eave.



© 2005 Building Science Corporation

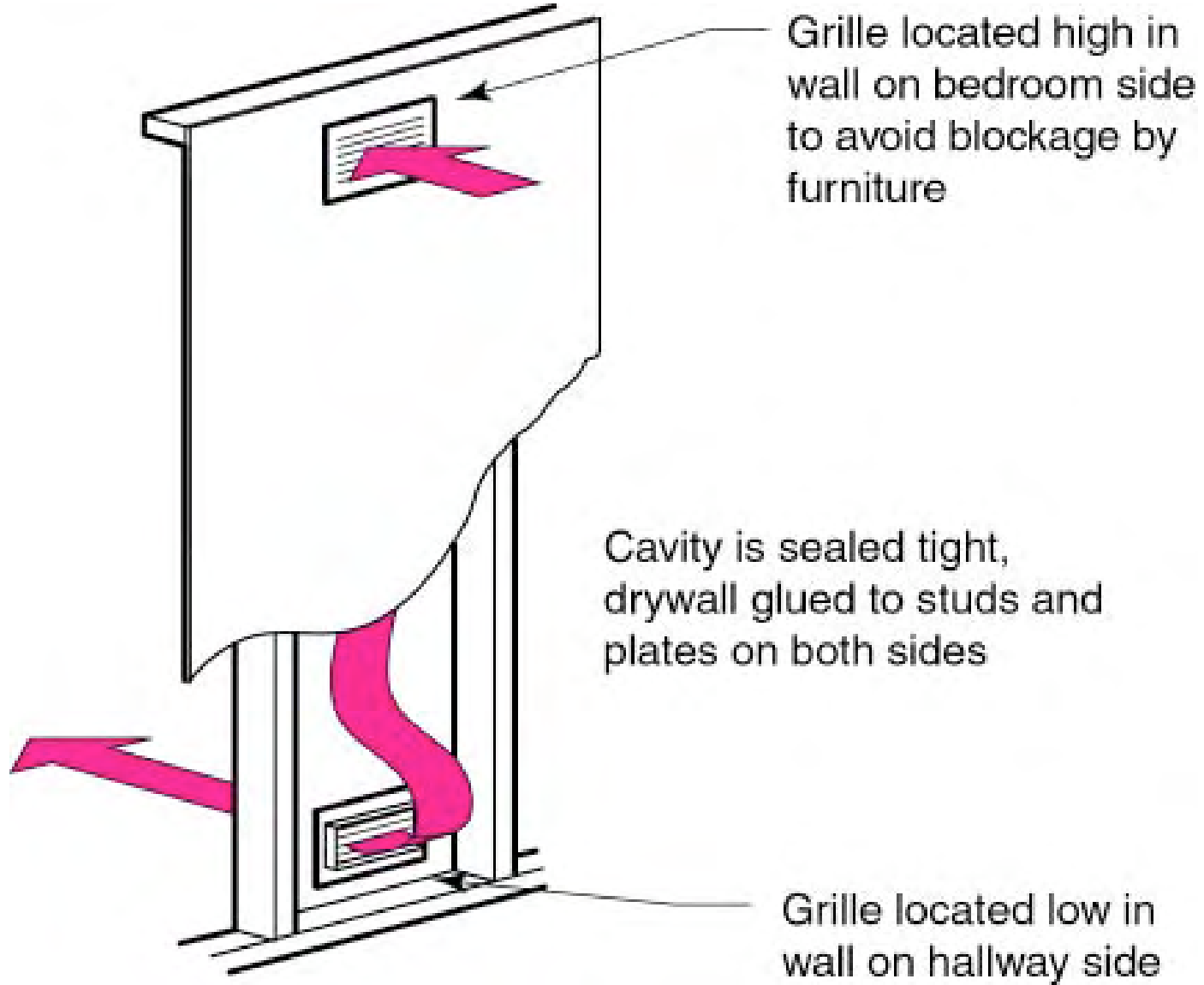


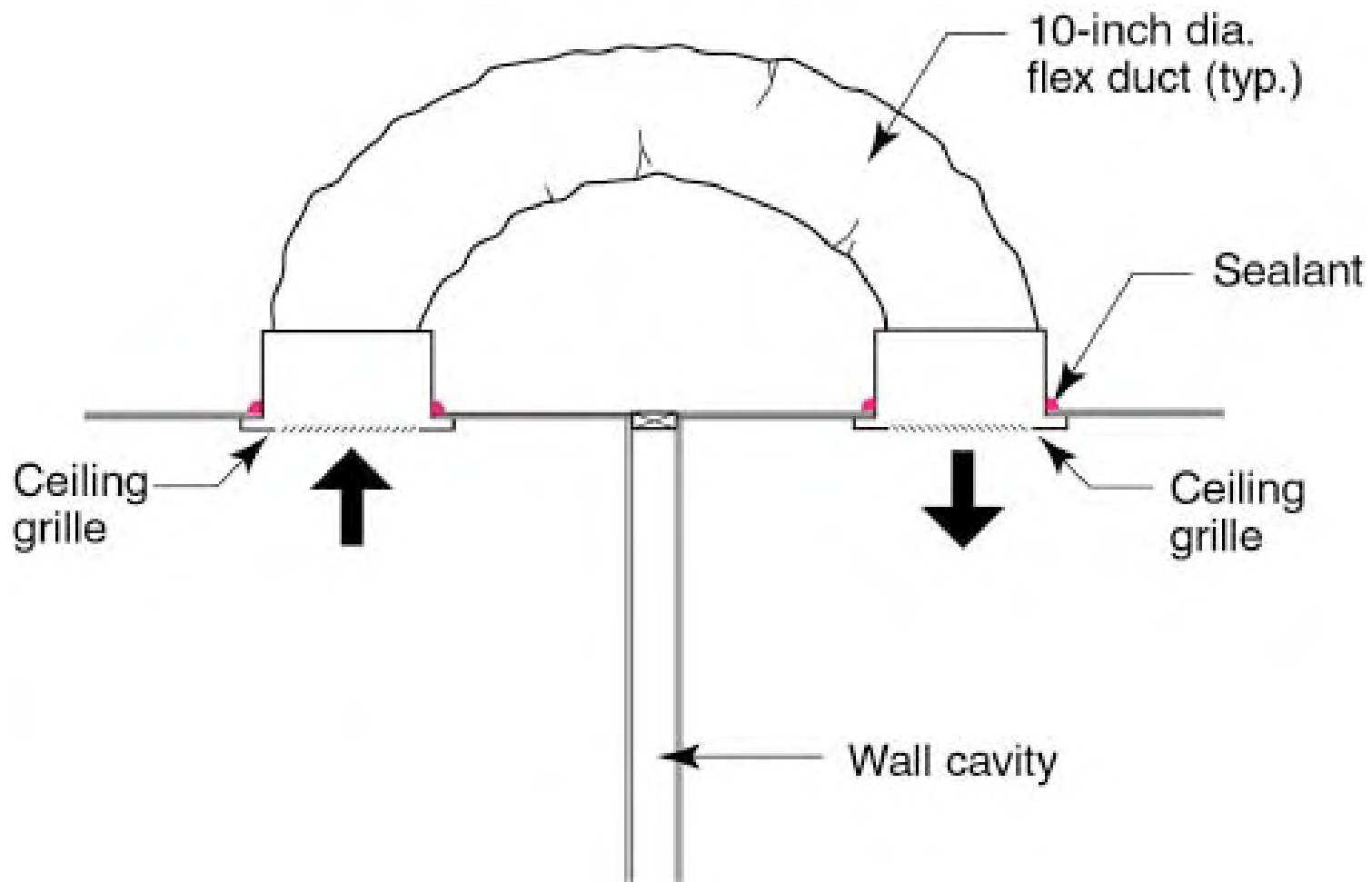






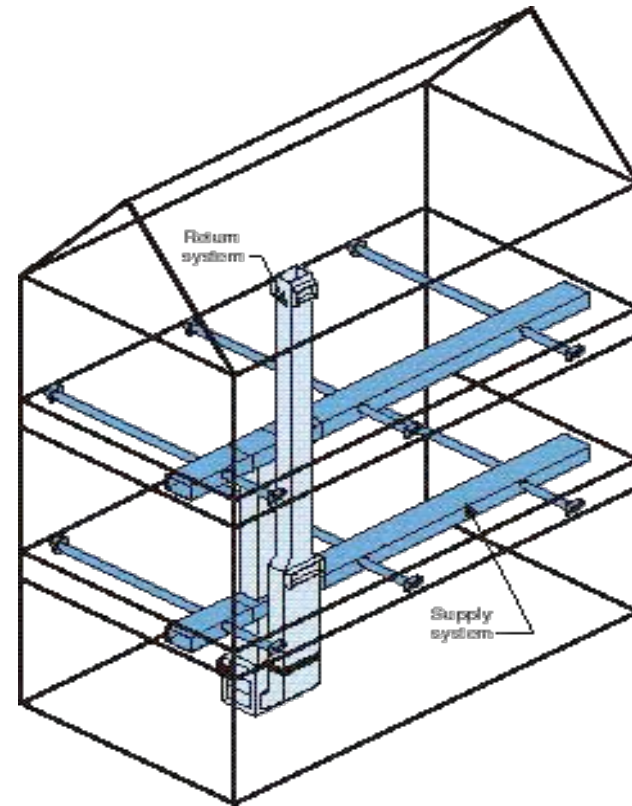
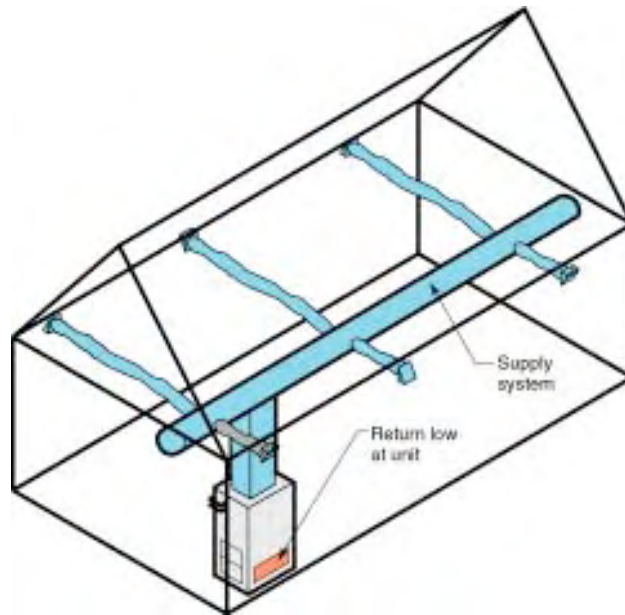
© 2005 Building Science Corporation





Air Distribution Systems

- Innovative ductwork system
- Ductwork located inside of the building envelope in the dropped plenum (i.e. not in vented attics, exterior walls, attached garages)





© 2005 Building Science Corporation



© 2005 Building Science Corporation



© 2005 Building Science Corporation



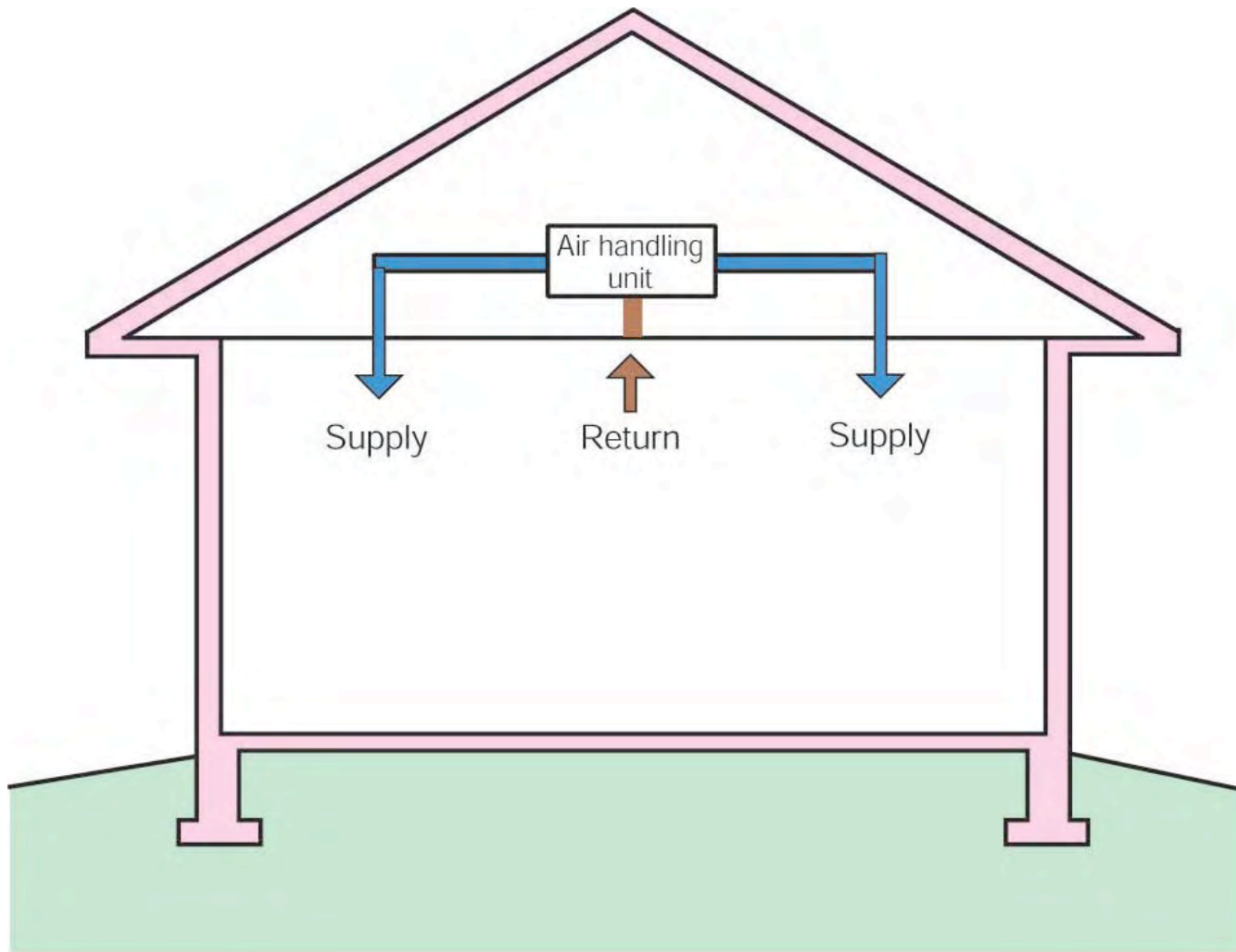
© 2005 Building Science Corporation



© 2005 Building Science Corporation



© 2005 Building Science Corporation



Note: Colored shading depicts the building's thermal barrier and pressure boundary. The thermal barrier and pressure boundary enclose the conditioned space.



© 2005 Building Science Corporation









© 2005 Building Science Corporation



© 2005 Building Science Corporation



© 2005 Building Science Corporation



© 2005 Building Science Corporation



© 2005 Building Science Corporation



© 2005 Building Science Corporation



© 2005 Building Science Corporation



© 2005 Building Science Corporation



© 2005 Building Science Corporation



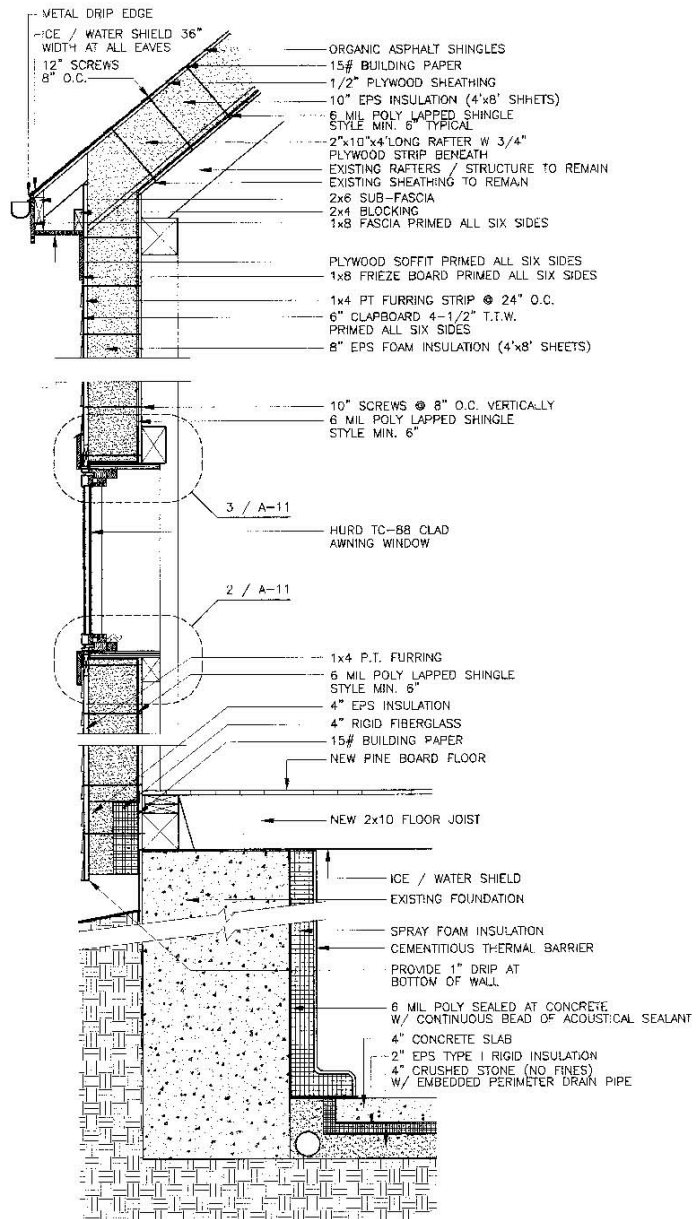
© 2005 Building Science Corporation



© 2005 Building Science Corporation



© 2005 Building Science Corporation



1 BUILDING SECTION
3/4" = 1'-0"



© 2005 Building Science Corporation



© 2005 Building Science Corporation



© 2005 Building Science Corporation



© 2005 Building Science Corporation



© 2005 Building Science Corporation



© 2005 Building Science Corporation



© 2005 Building Science Corporation



© 2005 Building Science Corporation



© 2005 Building Science Corporation



© 2005 Building Science Corporation



© 2005 Building Science Corporation



© 2005 Building Science Corporation



© 2005 Building Science Corporation



© 2005 Building Science Corporation



© 2005 Building S



© 2005 Building Science Corporation

2. Proper Roof Venting



© 2005 Building Science Corporation