

Introducing the market to high-performance green building on Hilton Head Island

Building America Report - 0703

December-2007

Armin Rudd and H. Feldman

Abstract:

Primarily as a resort location, Hilton Head Island has a somewhat different residential housing market than other more traditional areas.

Introducing the market to high-performance green building on Hilton Head Island

A. Rudd¹, H. Feldman²

1.0 Introduction

Primarily as a resort location, Hilton Head Island has a somewhat different residential housing market than other more traditional areas. The market is made up of both year-round occupancy and seasonal occupancy, and the size and cost of new homes range from the very large and expensive to those of more normal size but still higher cost. Most houses are simply “built to code.” High-performance and “green” housing practices have not begun to penetrate the market.



Figure 1 Entrance to community from the garage area; all hard surfaces are pervious concrete

As part of the U.S. Department of Energy’s Building America Program, a partnership was developed with a builder who had learned from experience that just building to code left a lot to be desired from an overall performance perspective. He came to believe that real value lies in implementing building science principals within a systems engineering approach to high-performance housing.

The whole-house performance approach described here builds a framework of understanding that starts with principals that lead to evaluation of options, that leads to a coherent plan, that leads to quality execution of producing high-performance homes. High-performance homes are comfortable, healthy, safe, durable, energy efficient, and respecting of the environment. A high-performance home will also reduce a builder’s risk of warranty/service call-back and customer complaint, leaving more room for profitability.

2.0 Systems principals, options evaluation, and as-built characteristics

A logical construction sequence approach is used here to describe the systems principals and to evaluate reasonable construction options. As one progresses through the construction sequence you can see the value of looking both forward and behind to see the linkages in the systems engineering approach.

¹ Principal, Building Science Corp., Westford, MA

² President, Coastal Habitats, Hilton Head Island, SC

2.1 Sitework

Historically, Hilton Head Island receives about 50 inches of rain per year. The site is a four-acre parcel with nearly two acres of freshwater wetlands that will remain undeveloped. In addition to site drainage requirement required by code, pervious pavement was used throughout the project for the driveway and parking spaces near the detached garages, and for all sidewalks (Ruiz 2007). Low maintenance grasses and shrubby were purposefully designed into the landscape. The site plan is shown in Figure 2.



Figure 2. Project site plan

Mature trees around the homes were left in place as much as possible to help shade the homes in summer, keeping it cooler and more comfortable indoors and out. A line of trees buffers the north and west sides of the property, providing a windscreen. Topsoil was moved to a safe location on the site, covered to prevent erosion, and then re-used in the project. These measures minimize the amount of excavation and trucking associated with importing new soil.

2.2 Foundation

A slab-on-grade foundation is the most cost effective and trouble-free foundation in most parts of the U.S. where the frost depth is above about three feet. Sealed crawlspaces with insulated walls and a small amount of conditioned supply air could have been used if the grade sloped, or if the first floor needed to be elevated, but that was not the case. A 4-inch monolithic slab with turned-down edges was poured over a 6-mil polyethylene vapor barrier over compacted sand/stone. Soil under the foundation was treated for termites. Slab-edge insulation was not used due to the long-term risk of termite infestation through or behind the insulation.

2.3 Exterior Walls

Detailing of exterior walls can be the most complex of the building enclosure elements. The negative effects of water intrusion, air infiltration, thermal conduction, water vapor diffusion, and solar radiation must all be considered along with the realities of many wall penetrations, architectural detailing, wind and weight loading requirements, security requirements, component attachment, interior and exterior finishing aesthetics, etc.

Having a high priority for comfort at low cost in hot-humid climates requires, in order of priority for walls:

- glazing with low solar heat gain;
- air sealing;
- opaque areas with moderately high thermal insulation; and
- glazing with thermal resistance at least high enough to avoid wintertime condensation.

Having a high priority for durability in hot-humid climates requires (Lstiburek 2005):

- a continuous water drainage layer behind the cladding, integrated with window, door, roof, and other penetration flashings, to protect water sensitive materials located deeper in the assembly;
- a capillary suction break between foundation materials in soil contact and walls above;
- water vapor diffusion resistance between water absorptive claddings and wall sheathing to retard moisture movement driven by solar heat; and
- interior finish materials that do not retard water vapor movement to allow drying to the inside air.

To accomplish all of these goals, and having started with an initial builder criteria of conventional wood stud framing, the wall system chosen was as follows:

- 2x6 16" o.c. wood studs filled with open cell spray foam insulation in the cavity;
- Insulated headers were used in conjunction with other advanced framing techniques at corners and partition intersections to reduce unnecessary wood and increase insulation;
- Foam gasket and capillary break between the pressure treated bottom plate and the foundation;
- Gypsum wallboard and latex paint interior finish;
- OSB sheathing covered by corrugated house wrap to increase drainage, covered by 1/2" XPS foam sheathing to retard solar driven water vapor, covered by fiber cement siding and paint;
- Windows with NFRC rated solar heat gain coefficient of 0.33 and U-value of 0.32; and

- Butyl flashing membranes integrated with the house wrap drainage layer for all windows, doors, roof-to-wall flashings (including kick-out flashings, see Figure 3), and through-wall penetrations for plumbing, venting, and wiring.



Figure 3. Kick-out flashing at roof-wall intersection

2.4 Roof

Primarily as a strategy to lower costs, traditional attics leave a lot of potentially useful sheltered space unused. Prefabricated trusses have reduced construction cost and construction time in trade for more sprawling plans to make up for the loss of living space. In many high-performance homes, cathedralized attics make better use of that space than traditional attics by moving the insulation directly under the roof plane to enclose all air distribution system components within the thermal and air pressure boundary of the building enclosure. Illustrated in Figure 4, that construction method is specifically allowed by the International Residential Code (section R806.4), and the Florida Building Code.

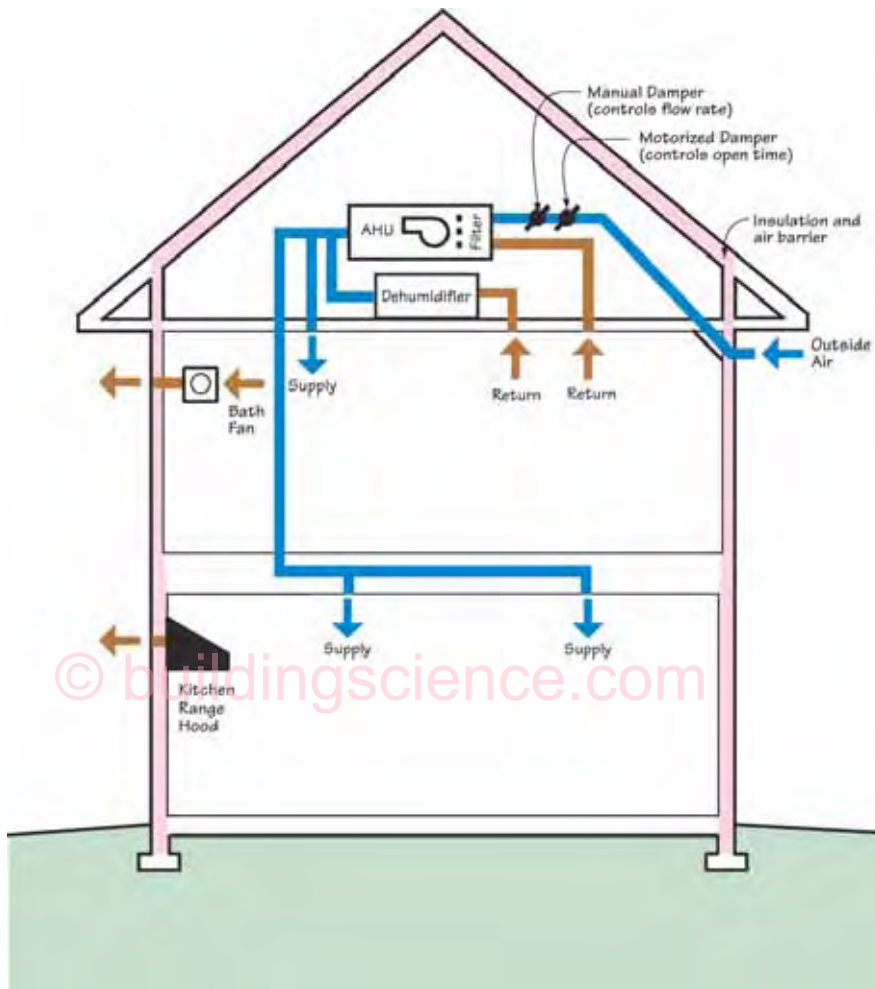


Figure 4 Cathedralized attic enclosing the central space conditioning air distribution system within thermal and air pressure boundary of the building enclosure

Going further than cathedralized attics, cathedral ceilings generally make the most use of sheltered space by finishing the underside of the roof framing to convert all of what would have been attic space to conditioned living space. A 1" to 2" soffit-to-ridge vent space may or may not be left under the roof sheathing, but in either case, application of open cell or closed cell spray foam insulation is the best way to insulate and air seal the roof/ceiling assembly.

All of the houses in this project had either cathedralized attics or cathedral ceilings, and all were insulated to R-30 with open cell spray foam. Gypsum board and latex paint provided the interior finish. Wood sheathing, roofing paper underlayment, copper flashings, and 40 year fiberglass/asphalt shingles provided the water and structural protection.

2.5 Central Forced Air Heating and Cooling

Proper comfort conditioning, filtration, and distribution of indoor air are critical to the success of high-performance homes. These systems should be designed and properly

sized, but in order for that to be successful, the builder's commitment to the following criteria items must be in place:

- Building enclosure leakage not more than 0.25 cfm50 per ft² of enclosure surface area
- Duct leakage to outside not more than 5% of the high speed flow rate, and total duct leakage not more than 10% of the high speed flow rate
- Provision for return air transfer from rooms with doors to assure less than 3 Pascal pressure difference between rooms and the common area
- High-performance glazing with U-value and SHGC in the range of 0.35
- Uniform and properly installed insulation

By a commitment to quality control practices backed up by testing, the builder should provide assurance of these things to the HVAC contractor in order to expect the contractor to have confidence that right-sizing the equipment will reduce his risk of comfort complaints.

Right-sizing the equipment starts with using software adhering to ACCA Manual J version 8 to calculate system loads and room air flow requirements for cooling and heating systems. There are many inputs to such software, and different ways to somewhat subjectively inflate the system size. Good information is given in the Manual J text, but here are some of the most important factors to get right for the high-performance homes discussed here:

- All ducts and air handlers should be input as located within the conditioned space (while the actual location may be directly or indirectly conditioned, the important factor is that the entire air distribution system is within the thermal and air pressure boundary of the enclosure). The resulting duct heat gain/loss load reported by the program should be zero.
- Infiltration should be set at 0.1 ach for both winter and summer. Mechanical ventilation should be set at 65 cfm.
- The glazing U-value and SHGC should be set at the values shown on the NRFC rating label attached to the glazing (U=0.32, SHGC=0.33). A "custom window" should be created to do this. For most glazing, the interior shading should be set for drapes-medium, 50% drawn, no insect or external shade screens, ground reflectance equal to 0.20.
- Outdoor design conditions should not exceed the ASHRAE 0.4% design for cooling, which for Savannah, GA is 95.4 F dry bulb and 77.1 F wet bulb. Indoor conditions should be set at 75 F dry bulb and 63 F wet bulb (50% RH).
- For production built communities, the building design load for each plan should be calculated for the orientation that creates the highest system load, but the individual room duct sizing should be done based on the average flow of all four cardinal orientations. For rooms with more than 18% glass to floor area ratio, the duct size can be increased to the maximum of all four orientations.
- Equipment selection should be based on indoor and outdoor sections that are matched in capacity and listed in the ARI directory. The equipment will be selected based on the manufacturers extended performance ratings to meet the design sensible load at the actual (not nominal) outdoor and indoor design conditions. Use the ACCA Manual S provision that allows one-half of the unused latent capacity to count as sensible capacity. If the total load (sensible+latent) exceeds the total capacity of the system by more than 900 Btu/h then go to the next bigger size,

otherwise, stay at the smaller size. A thermal expansion valve refrigerant metering device should be used and the refrigerant charge checked using the sub-cooling method.

The air distribution system needs to be designed as well, to make sure that the right amount of air gets to where it is supposed to go to meet the space conditioning loads and provide comfort. Use of supply registers that allow adjustment of the airflow rate and airflow direction is also important for final balancing and room air circulation. In high-performance homes, the duct systems can be more compact because the air flow requirements are lower, and there is no need to have extended duct runs to “wash” outside walls and windows with cool or warm air. A more compact duct system makes it easier to locate the ducts inside conditioned space (in floor systems, soffits/chases/fur-downs, and inside walls). Air handlers were centrally located within the conditioned building envelope to minimize duct lengths. Additional important practical principles to apply are listed here:

- Supply air run-outs should be sized for the room airflow requirement at 500 ft/min. Supply air trunks or plenums should be sized for not more than 750 ft/min. Return air ducts should be sized at not more than 350 ft/min, return grilles should be sized for no more than 300 ft/min.
- Total external static pressure (defined as the pressure differential between the return side and the supply side of the air handler cabinet) should not exceed the manufacturer’s specification, usually 125 Pa (0.5 inch water column).
- Ducts feeding supply registers in bedrooms should not be larger than 6” diameter (100 cfm maximum) to avoid blowing too much air too fast on sedentary people. Reasonable care should be taken to avoid blowing air directly on beds. Most master bedrooms will require at least two supply registers rather than one large supply register.
- Provision for return air transfer from closable rooms is required (jump ducts or transfer grilles). Pressurization or depressurization of rooms or the common area should not exceed 3 Pa.

These design guidelines were followed for each of the five house plans used in the project. An example system and duct sizing output for one of the plans is shown in Figure 5. All of the houses were fitted with either 1.5-ton or 2-ton (nominal) air source heat pumps with variable speed indoor fan and thermal expansion valve. Published efficiencies were 15.1 SEER and 8.05 HSPF as shown in Figure 6.

Front of house facing:	N	NE	E	SE	S	SW	W	NW	max	avg	
RHVAC program output											
Heating Load (kBtu/h)	22.2										BSC Spec
Sensible Cooling Load (kBtu/h)	18.8		17.2		18.1		17.6		18.8	17.9	Spec
Latent Cooling Load (kBtu/h)	3.2		3.2		3.2		3.2				
Total Cooling Load (kBtu/h)	22.0		20.4		21.3		20.7		22.0	21.1	2.0 ton
Room Air Flow (cfm)											
Living	129		92		125		97		129	111	111
Dining	82		51		79		56		82	67	67
Kitchen	72		65		70		65		72	68	68
Bed 1	107		109		98		114		114	107	107
Bath 1	14		9		14		8		14	11	11
Bed 1 closet	8		8		8		8		8	8	8
Bed 2	95		114		97		116		116	106	106
Bath 2	39		25		38		27		39	32	32
Bed 2 closet	13		12		12		12		13	12	12
Bed 3	100		114		92		116		116	106	106
Bath 3	55		54		54		54		55	54	54
Bed 3 closet	7		7		7		7		7	7	7
Hall	62		50		60		49		62	55	55
Laundry	29		28		28		28		29	28	28
Totals:	812		738		782		757			772	800
Supply Duct Diameter (in)											
Living	2-5		1-6		2-5		1-6				2-5
Dining	1-6		1-5		1-6		1-5				1-6
Kitchen	1-6		1-5		1-6		1-5				1-6
Bed 1	2-5		2-5		2-5		2-5				2-5
Bath 1	1-4		1-4		1-4		1-4				1-4
Bed 1 closet	1-4		1-4		1-4		1-4				1-4
Bed 2	1-6		2-5		1-6		2-5				2-5
Bath 2	1-4		1-4		1-4		1-4				1-5
Bed 2 closet	1-4		1-4		1-4		1-4				1-4
Bed 3	2-5		2-5		1-6		2-5				2-5
Bath 3	1-5		1-5		1-5		1-5				1-5
Bed 3 closet	1-4		1-4		1-4		1-4				1-4
Hall	1-5		1-5		1-5		1-5				1-5
Laundry	1-4		1-4		1-4		1-4				1-4

Figure 5. System and duct sizing output for the Maggie plan

ARI Ref. #	Model Status	Manufacturer	Trade/Brand Name	Outdoor Unit Model Number	Indoor Unit Model Number	Furnace Model Number	Cooling			High Heating 47°F		Low Heating 17°F
							Capacity (Btu/h)	EER	SEER	Capacity (Btu/h)	HSPF	Capacity (Btu/h)
1236655	Discontinued	THE TRANE COMPANY	XL15i Weathertron	2TVX5024A1	2TEE3031A1		25,000	12.50	14.50	22,600	8.00	14,100
1236657	Discontinued	THE TRANE COMPANY	XL15i Weathertron	2TVX5024A1	2TEE3037A1		24,800	12.60	15.00	21,600	8.50	13,200
1236669	Discontinued	THE TRANE COMPANY	XL15i Weathertron	2TVX5024A1	2TEE3040A1		26,200	13.00	15.50	22,400	8.50	13,600
1106214	Discontinued	THE TRANE COMPANY	XL15i Weathertron	2TVX5024A1	2TEE3F31A1		25,000	13.00	15.10	22,800	8.05	14,100
1106216	Discontinued	THE TRANE COMPANY	XL15i Weathertron	2TVX5024A1	2TEE3F37A1		25,000	12.70	15.00	21,600	8.60	13,200

Figure 6. ARI Directory listing for the matched equipment

2.6 Supplemental Whole-house Dehumidification

High efficiency houses in warm-humid climates have low sensible heat gain. Low sensible heat gain is good for reducing cooling costs, but contributes to part load moisture control challenges. Especially during Spring and Fall seasons, there are a significant number of hours where little or no sensible cooling is needed but moisture removal is still needed due to internal moisture generation and ventilation. This situation can also occur during summer nights and rainy/overcast periods. Conventional cooling equipment is equipped mostly for reducing air temperature (sensible cooling), with only about 20 to 30 percent of its capacity designed for removing moisture (latent cooling). This results in periods of high indoor relative humidity.

Enhanced humidity control settings for the central cooling system are often applied as follows:

- Reduced evaporator coil air flow: The blower speed controls should be set to be reduced for the early minutes of a cooling cycle to let the evaporator coil get colder and begin to remove moisture from the air faster. In general, for humid climates, 200 to 300 cfm/ton can be used in the early minutes of operation, and 300 to 350 cfm/ton can be used for full cooling operation.
- Reduced cooling setpoint: A strategy employed by some thermostats to try to increase moisture removal is to cause the cooling setpoint to be depressed below the requested temperature setpoint if indoor humidity is above the requested humidity setpoint. This strategy for enhanced humidity control is marginally effective at best, it is inefficient, and it often leads to occupant comfort complaints. Also, anytime the indoor drybulb temperature is below the outdoor dew point temperature, the building enclosure is more at risk of moisture related problems. For all these reasons, the depressed setpoint strategy should not be used.

A better solution for year-round indoor humidity control in warm-humid climates has been to add separate dehumidification equipment to supplement the normal cooling system during periods when moisture removal alone is needed. This dehumidification capacity can also result in occupants being more comfortable at a higher cooling setpoint, which can save energy. Supplemental whole-house dehumidification will provide year-round humidity control, assuring against mold odors, especially during swing seasons and unoccupied periods.

The houses in this project (except one due to space constraints) were fitted with a whole-house dehumidifier integrated with the central system according to the schematic in Figure 7. The dehumidifier was ducted with an intake from a common area location in the house and a discharge into the central system main supply air duct (requiring a normally-closed damper to prevent backflow when the dehumidifier was not active). Control for the dehumidifier was by a sensor in the living space that measured and displayed the indoor humidity level and activated and deactivated the dehumidifier according to the user selected setting. More detail on the operation of the dehumidification and ventilation systems integrated with the central system will be given in the next section covering ventilation.

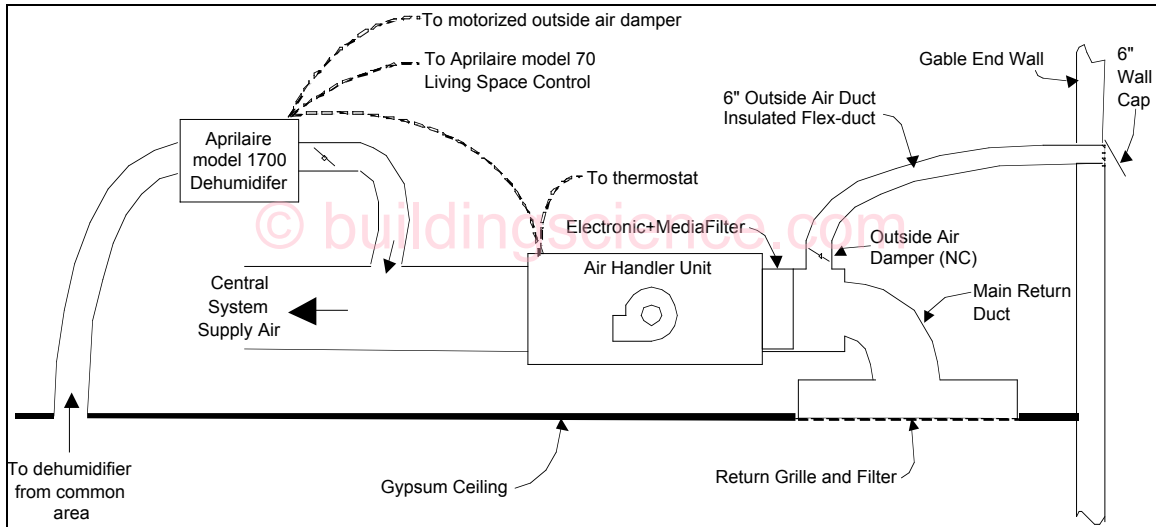


Figure 7. Schematic of whole-house dehumidifier and supply ventilation integrated with central space conditioning system

2.7 Ventilation and Indoor Air Quality (Rudd 2006)

The first step toward improving indoor air quality is to keep sources of pollution out the house to begin with. In this project, the only combustion appliance was the tankless hot water heater which was sealed-combustion, direct vent. Zero-VOC interior paints were used throughout. Low VOC adhesives were used during framing. All garages are detached with storage space above. The houses were well sealed against air infiltration so that most air exchange, and the air pressure relationship, between the indoors and outdoors would be mechanically and purposefully controlled. The fireplaces selected were sealed front gas appliance units vented directly to the outside. Central vacuum systems were installed or roughed-in to allow for direct exhaust of the vacuum canisters. Framing packages were delivered in stages to prevent lumber from excessive exposure to the elements. All materials left outside were covered with plastic on a daily basis to keep them dry.

The next step is to provide for local exhaust ventilation where moisture, odor, and indoor air contaminants are produced and exist at high concentrations. These locations typically include bathrooms, kitchens, and laundries. In this project, a minimum 50 cfm exhaust fan, controlled by a standard on/off switch, was installed in each bathroom and laundry room. A minimum 100 cfm cook-top exhaust fan, controlled by a standard on/off switch, was installed in the kitchen. The fans were ducted to exhaust directly to outdoors, and all duct joints were sealed. Occupants were or will be informed that the exhaust fans when the rooms are in use.

Whole-house dilution ventilation is then needed to reduce the concentration of diffuse pollutants throughout the conditioned living space. Especially in warm-humid climates, distributed supply ventilation works better than exhaust ventilation because:

- a known amount of filtered outside air will be drawn from a known fresh air location, then tempered with a large percentage of indoor air, and possibly cooled and dehumidified or heated before it is distributed; and

- the conditioned space is slightly pressurized, causing conditioned air to exit the building enclosure through whatever outlet pathways are available (often exhaust points in tight homes) rather than drawing humid air inward through the building enclosure where it may cause moisture problems and/or be contaminated.

In this project, a 6 inch diameter insulated outside air duct and normally-closed motorized damper were fitted to the return side of the air handler unit generally according to the schematic in Figure 7 (Rudd and Lstiburek 2007). The system supplies about 50 cfm of outside air for a minimum and maximum of 33% of the time. This fan cycle rate will not provide the ASHRAE Standard 62.2 (ASHRAE 2007) airflow amount, although the system could meet the 62.2 airflow amount if the fan was operated continuously. Operating the central fan continuously is NOT recommended, especially in warm-humid climates, because of re-evaporation of moisture from the wet cooling coiling (Henderson and Shirey 2007) and excessive fan energy consumption which ends up as heat that the cooling system must remove. As was done in this project, the best practice is to install one 62.2 compliant exhaust fan in every house, which is the ventilation system of record for rating purposes. The existence of that fan exhaust fan, and an on/off switch, meets the 62.2 requirements by itself. Central fan cycling operation is then outside of the rating in the same way that the Fan On button on the thermostat is outside of the rating. In reality, about half the fan cycling operation for supply ventilation does double-duty because it is needed for thermal comfort mixing anyway.

The ventilation controls for this particular system are integrated with the whole-house dehumidifier controls. Here are the principals of operation:

- a) The dehumidifier must have power in order for any ventilation and central fan cycling and outside air damper cycling to occur. The dehumidifier will operate to reduce indoor humidity independently of ventilation and central fan cycling.
- b) The central fan will operate for at least 10 minutes per half hour (including any operation due to thermostat demand).
- c) The outside air damper will be open for 10 minutes per half hour while the central fan is operating. The outside air damper will not be open for more than 10 minutes per half hour regardless of any additional fan runtime due to thermostat demand. The outside air fraction is about 10% or less, so, being mixed with 90% or more inside air, there is no need to dehumidify it first. The moisture will be removed with normal cooling demand, or by the dehumidifier if cooling demand does not control it.
- d) The dehumidifier will run only as needed based on the measured humidity in the living space and the humidity setpoint. As humidity rises in the living space for any reason, ventilation or otherwise, the dehumidifier will be energized and bring the humidity back down.

Air filtration was handled in all the homes using a combination electronic plus wide media air filtration product. Filtration efficiency was 98% to 99% for large particles (1 micron and larger) and 94% for small particles down to 0.35 microns.

2.8 Lighting

Daylighting of the home interior is an important component of energy conservation and of the enjoyment occupants experience in the space. More glass area than needed is

energy wasteful. Even for the components in these high-performance homes in Hilton Head, SC, a unit area of glazing requires about 3 times more space conditioning energy than the same area of insulated opaque wall. However, too little glass does not contribute to good overall environmental design either. The windows in this project were well placed for daylight and view while preserving privacy.

Compact fluorescent lighting uses about one quarter the power of incandescent lighting for the same lighting intensity. In predominantly cooling climates, this reduces energy consumption in two ways, the energy used for lighting and the energy to remove the heat generated by the lighting. Compact fluorescent lighting was used throughout each home in this project. The lighting was planned and designed to work well both functionally and aesthetically.

2.9 Hot Water Heating

Hot water heating in each home was by a gas, sealed-combustion, direct vent tankless heater with an Energy Factor of 0.85. That compares to standard gas hot water heaters having an EF=0.56. In one house, solar hot water heating was added to achieve even higher energy savings.

The combination of tankless hot water heating and solar hot water heating creates some challenges that are being researched in this project. Running pre heated water into a tankless water heater will not damage the unit, but it can cause wide temperature fluctuations at the domestic taps. All gas-fired tankless hot water heaters have a minimum firing rate, usually not less than 15 kBtu/h. If the entering water temperature is too close to the outlet temperature setpoint, then the unit may not fire or fire intermittently causing wide temperature fluctuations at the domestic taps. One major manufacturer recommends that the water going into the unit be no warmer than 75 °F to avoid this problem.

Referring to Figure 8, at the minimum hot water draw rate of 0.5 gpm, the minimum firing rate will produce a 50 °F temperature rise. That means that if the water heater outlet setpoint is 125 °F, and the inlet water temperature is greater than 75 °F, then the water heater will shut off, delivering water to the tap as low as 75 °F. If the flow rate increases, or if the inlet water temperature falls, then the heater will fire again and start delivering 125 °F water to the tap. Referring again to Figure 8, depending on the water flow rate (between the minimum and maximum allowed by the unit) this type of temperature fluctuation can occur with solar preheated water anywhere between 75 °F (at 0.5 gpm) and 121 °F (at 8.5 gpm). It is very likely that the solar preheated water will quite often fall within that range.

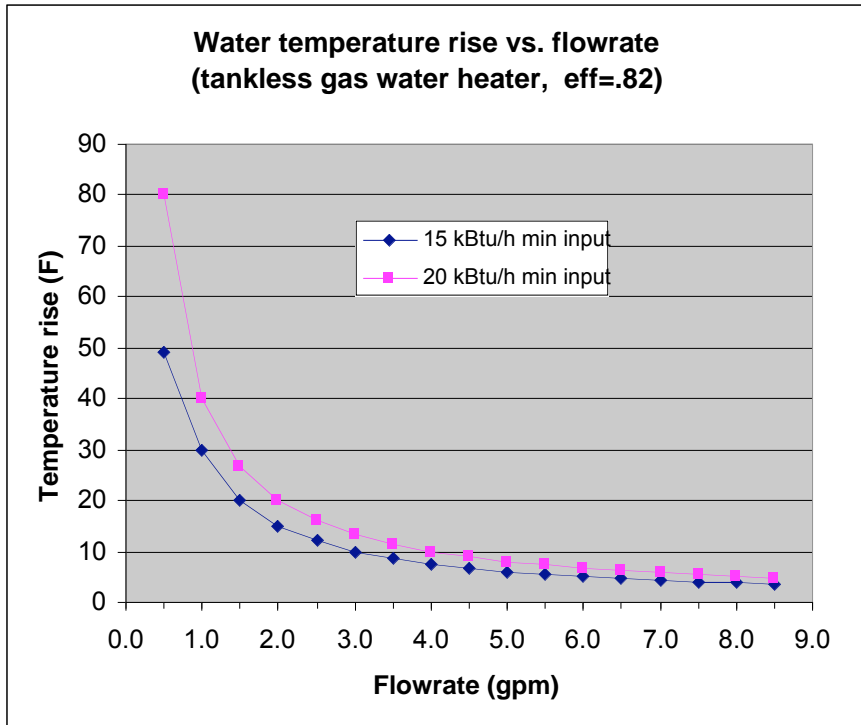


Figure 8. Water temperature rise versus flow rate for a typical gas tankless hot water heater

Tankless water heaters have the potential to cause annoying temperature fluctuations at the taps for other reasons as well. If the water draw is below the common 0.5 to 0.7 gpm minimum flow rate, such as when drizzling water to rinse dishes or shave, the unit will not fire, delivering main temperature water to the tap. When water use is of the rapid on/off type, hot and cold water will be intermittently delivered to the tap due to water heating delay times as the unit cycles on and off. It can commonly take 10 seconds after the beginning of a hot water draw for a tankless heater to prove proper draft and fire the gas burner. One major manufacturer now keeps the vent blower running for about one minute after the end of each hot water draw in order to reduce the re-firing time to a few seconds. So, delivery of cold water between the on/off hot water demand times can typically last from a few seconds to 10 seconds.

Due to the expected inefficiencies and occupant annoyances (Grubb 2006, Gleason 2007) related to these operational characteristics, field research is being conducted to evaluate whether the systems shown on Figures 9 and 10 will resolve these issues, with a focus on the integration of solar hot water heating with tankless hot water heaters.

The system of Figure 9 adds a small, well-insulated storage tank that is backed up with electric heat to a setpoint approximately 10 °F below the tankless hot water heater outlet setpoint. In that way, the temperature fluctuation delivery problem will be resolved for conditions when:

1. the hot water demand is below the minimum flow rate to fire the gas heater; and
2. the inlet water is warm enough that the water heating capacity needed is below the minimum firing capacity of the gas heater. The frequency and duration of this condition will impact how often the electric heating element will need to come on.

The electric heating element will also be needed to offset long-term heat loss from the small storage tank (for example overnight) when there is no hot water demand to infuse the tank with new hot water. If the electric back up was not there, it could take several minutes for hot water to reach the tap as the water that had cooled off in the tank must be replenished with new warm water. The mixing valve is required in case the solar pre-heated water is too hot for delivery to the domestic taps.

The system of Figure 10 goes further by eliminating the short-cycling inefficiency of the gas heater. It also eliminates the need for any electric heating element. The system adds a pumped circulation loop off the side of the small, well-insulated storage tank to the tankless water heater, much like an indirect water heater. Whenever the thermostat switch on the storage tank closes, the circulator will be energized, moving water through the gas heater. Tankless hot water heaters have a relatively high flow resistance; the pump needed to force water through the unit will draw about 90 W. Therefore, while this system will provide the best operation in terms of supplying regulated temperature water to the taps, and it does not require an electric heating element, there will be circulator and storage tank losses that need to be better understood. The system of Figure 10 also has the advantage of being easily adapted to combination space and domestic hot water heating applications

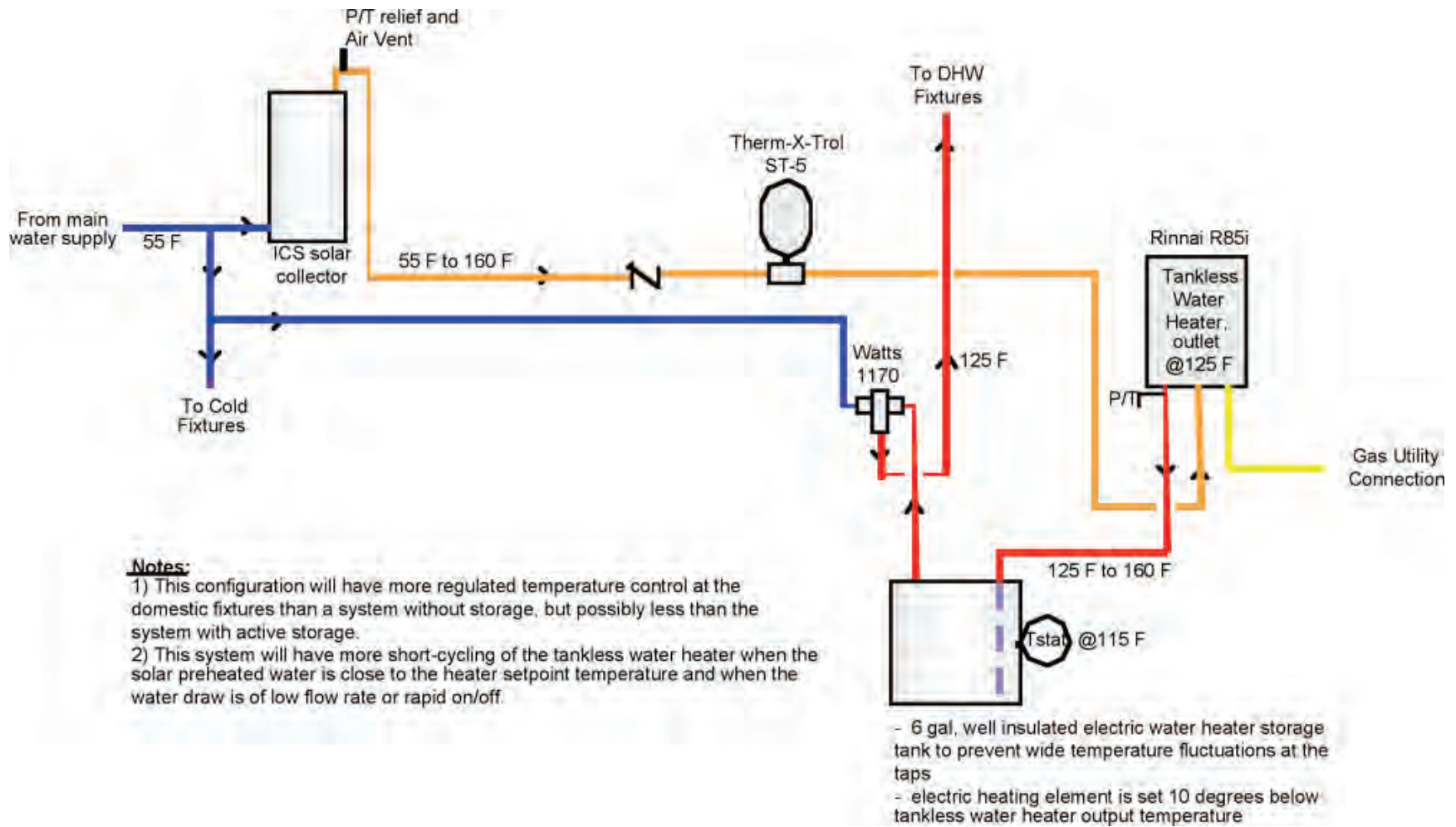


Figure 9. Tankless hot water heater application with solar preheat and passive storage tank

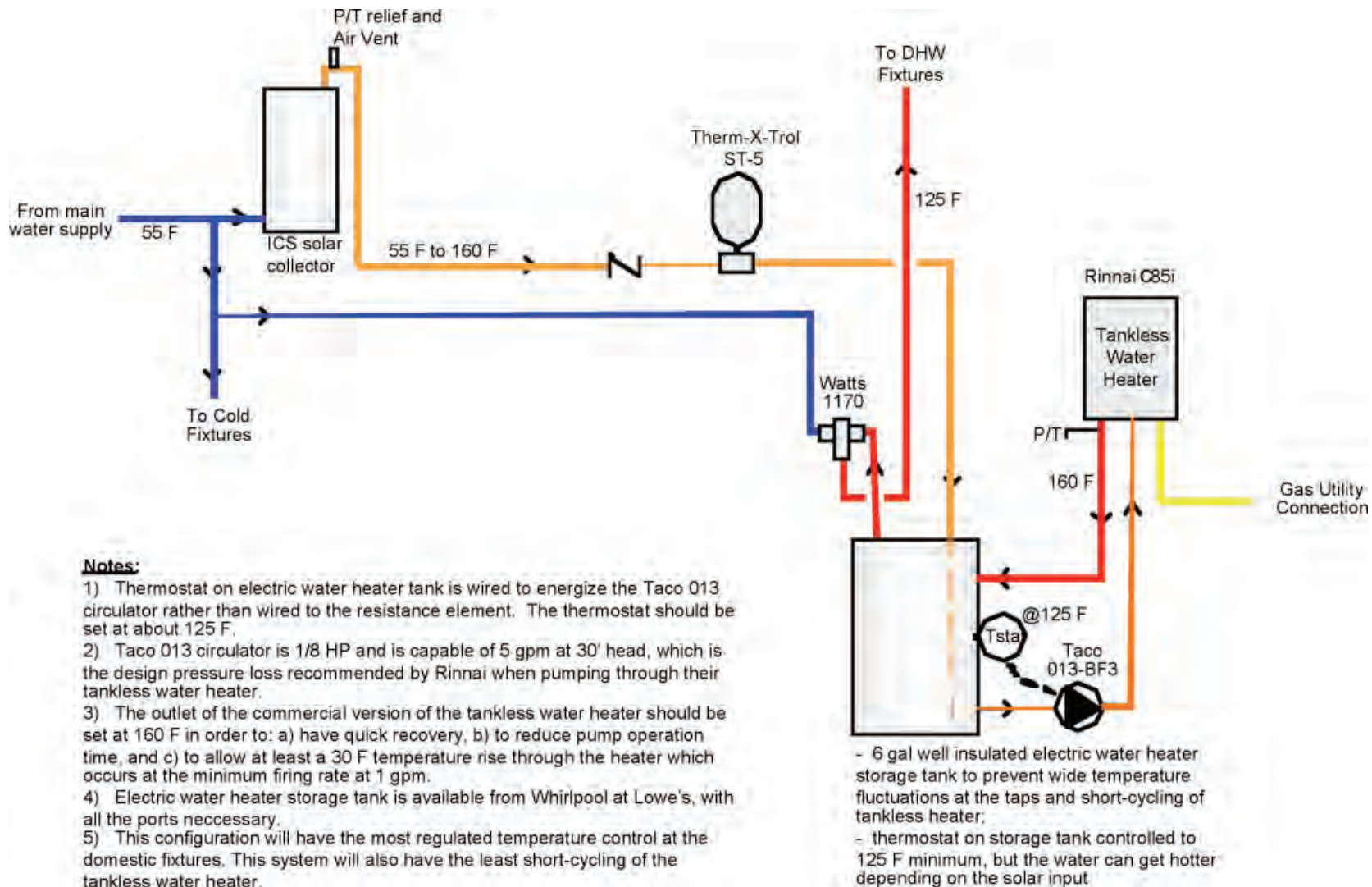


Figure 10. Tankless hot water heater application with solar preheat and active storage

2.10 Appliances

The appliance packages supplied by the builder were Energy Star™ rated. The clothes washer and dryer were front load units.

2.11 Sustainable Materials and Elements

The homes were finished with bamboo or cork flooring and recycled carpet and pad. The open cell spray foam insulation was soy based. Finger jointed interior wood trim was used extensively throughout the homes. Porch decks were of recycled synthetic decking materials. Where possible, a product manufacturer's dedication to the environment was a consideration in making product selections.

Low volume dual flush toilets using half the water of regular toilets were used throughout, potentially saving a typical family up to 7,000 gallons of water annually. Each home is fitted with gutters and downspouts to control water runoff. A rain barrel for each home will be used to collect water for watering flowers and shrubs.

3.0 Energy Performance and Economic Evaluations

Energy performance evaluations were made using the EnergyGaugeUSA program³. The analysis begins by modeling the house with the Building America Benchmark house characteristics as the reference design. Then the house is incrementally modeled with improvements over the Benchmark house while the change in source energy consumption is tracked. Source energy is different from site energy in that it takes into account not only the energy consumed at the site, but also the energy consumed in producing the energy. A homeowner usually only considers the cost of site energy, but from a societal point of view, source energy is more important. The site to source multiplier for electricity is about three times the multiplier for natural gas. Therefore, in the BA Benchmark performance evaluations, an electricity consuming device must be three times more efficient than a gas consuming device to have the same source energy impact.

The site to source issue can be illustrated for a range of fuel types through the use of Figures 12 and 13. Figure 11 shows the site to source multiplier, and the inverse, efficiency, used in the calculations.

Figure 12 shows a site energy analysis where one can compare the cost in dollars per million Btu delivered for different fuel types and heating efficiencies. Based on the listed inputs for Heating Efficiency, and the circled current average US fuel prices for each fuel type, the table quickly shows that the heat pump with COP=2.3 provides the lowest cost per million Btu's delivered (as long as there is not much electric resistance backup use). Natural gas is the next lowest cost option, followed by a distant tie between oil and electric resistance, then by propane.

³ EnergyGaugeUSA™ is an hourly building simulation program based on DOE2.1E with custom subroutines and a user interface, <http://www.energygauge.com/usares/>

Figure 13 shows a source energy analysis. Given the listed inputs for Heating Efficiency, and the circled current average US fuel prices for each fuel type, the table quickly shows that, when considering source energy, even the best available heat pump with COP=3.0 is no longer the lowest cost per million Btu's delivered. Natural gas is the lowest cost option, distantly followed by oil, then by a tie between the best available heat pump and propane (unless electric resistance is used for heat pump backup, then propane would be better).

	Site to source multiplier	Site to source efficiency
oil	1.00	1.00
natural gas	1.09	0.92
propane	1.15	0.87
electricity	3.37	0.30

Figure 11. Site to source calculation factors

		Equivalent fuel cost at listed cost per million Btu (based on <u>site energy</u>)																
Heating		\$ per 10 ⁶ Btu delivered																
Fuel type	Efficiency	8	10	12	14	16	18	20	22	24	26	28	30	32	34	36	38	40
Oil	0.85	0.95	1.19	1.43	1.67	1.90	2.14	2.38	2.62	2.86	3.09	3.33	3.57	3.81	4.05	4.28	4.52	4.76
Natural gas	0.92	0.74	0.92	1.10	1.29	1.47	1.66	1.84	2.02	2.21	2.39	2.58	2.76	2.94	3.13	3.31	3.50	3.68
Propane	0.92	0.67	0.84	1.00	1.17	1.34	1.51	1.67	1.84	2.01	2.18	2.34	2.51	2.68	2.85	3.01	3.18	3.35
Electric resist	1.0	0.03	0.03	0.04	0.05	0.05	0.06	0.07	0.08	0.08	0.09	0.10	0.10	0.11	0.12	0.12	0.13	0.14
Electric COP	2.3	0.06	0.08	0.09	0.11	0.13	0.14	0.16	0.17	0.19	0.20	0.22	0.24	0.25	0.27	0.28	0.30	0.31

Figure 12. Site energy analysis for different fuel types and heating efficiencies at U.S. average fuel prices

		Equivalent fuel cost at listed cost per million Btu (based on <u>source energy</u>)																
Heating		\$ per 10 ⁶ Btu delivered																
Fuel type	Efficiency	8	10	12	14	16	18	20	22	24	26	28	30	32	34	36	38	40
Oil	0.85	0.95	1.19	1.43	1.67	1.90	2.14	2.38	2.62	2.86	3.09	3.33	3.57	3.81	4.05	4.28	4.52	4.76
Natural gas	0.92	0.67	0.84	1.01	1.18	1.35	1.52	1.68	1.85	2.02	2.19	2.36	2.53	2.70	2.86	3.03	3.20	3.37
Propane	0.92	0.58	0.73	0.87	1.02	1.16	1.31	1.45	1.60	1.75	1.89	2.04	2.18	2.33	2.47	2.62	2.76	2.91
Electric resist	1.0	0.01	0.01	0.01	0.01	0.02	0.02	0.02	0.02	0.02	0.03	0.03	0.03	0.03	0.03	0.04	0.04	0.04
Electric COP	3.0	0.02	0.03	0.04	0.04	0.05	0.05	0.06	0.07	0.07	0.08	0.09	0.09	0.10	0.10	0.11	0.12	0.12

Figure 13. Source energy analysis for different fuel types and heating efficiencies at U.S. average fuel prices

Many characteristics of the Benchmark house are based on the 2003 International Energy Conservation Code (IECC), but there are a number of consumptions considered in the Benchmark that are not considered in the 2003 IECC, including: lighting, domestic hot water, appliances, and miscellaneous electric loads. The Benchmark analysis is meant to include all energy consumption that is part of the building or its services, either within or without.

Table 1 shows the results of the energy performance and economic evaluations. The Run ID #0 represents the Building America Benchmark level. Each Run ID beyond that

represents improvements over the last Run ID. All of the houses in this project were built to at least Run ID #8 which shows 45% site energy savings over the Building America Benchmark, and 46% source energy savings. The annual energy cost savings were predicted to be \$935, while the cost of improvements, summed up to that point, were estimated to be \$5,051. That resulted in a 5 year simple payback or a \$528 net positive cash flow if the improvement cost was financed on a 30 year term, 7% APR mortgage. The Home Energy Rating Index was 59.

One house in the project went beyond that with the addition of a solar hot water heating system (Run ID #9). That house was predicted to achieve 50% source energy savings and a net positive cash flow of \$426 per year. Run ID #10 shows that a 6.5 kW photovoltaic array would effectively bring energy use down to the near zero energy home level, with 99% source energy savings.

Table 1. Energy performance simulation results with estimated economics

Run ID	Description	Energy savings over Benchmark		Annual energy use		Energy cost ¹	Energy cost savings (\$/yr)		Estimated cost of improvement		Simple Payback	Net Cash Flow ²	HERS Index
		Site	Source	kwh	gal LP	(\$/yr)	Indiv	Sum	Indiv	Sum	(yr)		
0	Benchmark: slab uninsulated walls R-11 roof/ceiling R-23 and 1:300 venting windows U=0.62 and SHGC=0.65 building leakage SLA=0.00057, ELA=114 in ² , cfm50=2077 ducts R-5 and 15% total leakage heat pump 10 SEER and 6.8 HSPF 43 cfm mechanical ventilation hot water EF=0.54 lights 14% CFL appliances standard	--	--	16128	184	\$ 2,073	--	--	--	--	--	--	129
1	Air sealing to cfm50=784	5%	6%	15050	184	\$ 1,965	\$ 108	\$ 108	\$ 300	\$ 300	3	\$ 84	121
2	Low-e windows U=0.32 SHGC=0.33	9%	11%	14159	184	\$ 1,876	\$ 89	\$ 197	\$ 300	\$ 600	3	\$ 149	112
3	R-21 spray foam wall insulation and R-1.25 insulated sheathing	15%	17%	13055	184	\$ 1,766	\$ 110	\$ 307	\$ 1,000	\$ 1,600	5	\$ 178	103
4	R-30 spray foam cathedral ceiling/cathedralized attic and ducts inside conditioned space	26%	31%	10676	184	\$ 1,528	\$ 238	\$ 545	\$ 2,000	\$ 3,600	7	\$ 255	85
5	Heat pump 15 SEER/8.05 HSPF, ECM fan, and right-sizing	31%	36%	9690	184	\$ 1,429	\$ 99	\$ 644	\$ 1	\$ 3,601	6	\$ 354	76
6	Tankless hot water heater (propane) EF=0.85	39%	40%	9690	115	\$ 1,257	\$ 173	\$ 816	\$ 700	\$ 4,301	5	\$ 470	65
7	100% fluorescent lighting	44%	45%	8796	115	\$ 1,167	\$ 89	\$ 906	\$ 250	\$ 4,551	5	\$ 539	59
8	Energy Star dishwasher, refrigerator, clotheswasher	45%	46%	8500	115	\$ 1,138	\$ 30	\$ 935	\$ 500	\$ 5,051	5	\$ 528	59
9	Integral Collector Storage solar water heater system	54%	50%	8500	45	\$ 963	\$ 175	\$ 1,110	\$ 3,000	\$ 8,051	7	\$ 461	55
10	6.5 kW grid connected PV system to reach ZEH	96%	99%	-311	45	\$ 963	\$ -	\$ 1,110	\$ 45,500	\$ 53,551	48	\$ (3,205)	-11

¹ Utility rates used were 2007 US averages from www.eia.doe.gov, \$0.10/kwh and \$2.50/gal LP

² based on improvement cost being financed in 30 year, 7% mortgage

³ HERS rating does not currently account for this improvement

4.0 Successful field implementation, quality control, and third-party verification

Before even becoming involved with the USDOE Building America program, the builder had decided to build the first community on Hilton Head Island with Earthcraft House certification (www.earthcrafthouse.com). Every home was certified as both Earthcraft House and Energy Star (www.energystar.gov). In order to achieve this status, independent third-party inspections were required. At the start of the project, a plan review was completed and a HERS rating estimated based on specifications. A pre-drywall inspection was completed as were blower door and duct blast tests for each home.

However, after attending an educational session at an Energy and Environmental Building Association meeting, the builder learned that he was particularly lacking in best practice information related to his overall HVAC system design and implementation. Through the Building America program involvement, some building enclosure items and most of the HVAC system process was modified to improve performance as described in the sections above.

As the project progressed, the builder had a dedicated employee that was onsite every day to coordinate work between sub-contractors, improving communication, and keeping attentive to quality issues before they got out of hand.

If specific performance criteria are not established, and if adherence to the criteria are not verified by testing, there can be little assurance that the overall process is working. Testing of building enclosure leakage, duct leakage, room pressurization, and room air flow was completed to verify whether these important factors met the design criteria described in Section 2.5 above.

Table 2 shows the testing results for building enclosure leakage and duct leakage for the models tested thus far. All of the houses except one met or exceeded the maximum leakage criterion. The Molly #8 house did not meet it because of an insulation/air sealing defect in the roof. An HVAC duct in tight quarters blocked the insulators path to do the job right, so it was just left that way. The insulator should have notified the builder of the problem. If testing had not been part of the process, that defect would be unnoticed until it may have created a moisture problem.

Table 3 lists the testing results for duct leakage for the models tested so far. All of the duct systems had little to no duct leakage to outside, meeting the design criteria. A good goal is also to achieve less than 10% total leakage, which not all of the systems met. Even though the entire air distribution system (ducts and air handler) was inside conditioned space, reducing total leakage is important in order to assure that the air gets to where it was intended to go to meet the space conditioning load.

Room air flows are not listed here, but they all fell within a functional range of the design values with the supply registers fully open. Some re-balancing of supply registers may be expected according to occupants use and desires. Only three of the houses could be tested for room pressurization because the finished flooring was not installed in some, and two were still at the mechanical rough-in stage. Of the three tested, all rooms were

pressurized less than 3 Pa, except one room which was 9 Pa. This was due to a combination of a little too much air going to that room, a 1" door undercut instead of 1/2", and a transfer duct that wasn't working as well as intended. All of these factors can be fixed.

Table 2. Building enclosure leakage and duct leakage testing results

House model	cfm50 goal*	building leakage coefficient	cfm50	ach50	ELA (in ²)
Maggie	1021	0.11	450	1.67	48.1
Claire	1039	0.14	600	2.36	34.4
Betty Lu	528	0.13	360	2.53	36.7
Molly #8	784	0.29	914	4.73	54.6
Molly #9	784	0.20	622	3.22	32.9
*based on a maximum leakage coefficient of 0.25 cfm50 per square foot of building enclosure surface area					
Definitions:					
1) cfm50 is the ft ³ /min measured at 50 Pascal pressure differential					
2) ach50 is the air changes per hour at 50 Pascal pressure differential					
3) ELA is the effective leakage area representing all the leaks combined at 4 Pascal pressure differential					

Table 3. Duct leakage testing results

House model	tested at	system air flow (high speed)	floor area	Total duct leakage			Duct leakage to outside		
				cfm25	% of high speed flow	% of floor area	cfm25	% of high speed flow	% of floor area
Maggie, lot 11	final	800	1688	78	9.8	4.6	0.0	0.0	0.0
Claire, lot 12	rough	800	1731	135	16.9	7.8	0.0	0.0	0.0
Claire, lot 7	rough	800	1731	72	9.0	4.2	---	---	---
Betty Lu, lot 10	final	600	708	88	14.7	12.4	0.0	0.0	0.0
Molly, lot 8	final	600	1389	78	13.0	5.6	0.0	0.0	0.0
Molly, lot 9	final	600	1389	107	17.8	7.7	17.0	2.8	1.2
Sarah, lot 6	rough	600	1255	68	11.3	5.4	---	---	---
Definitions:									
1) cfm25 is the ft ³ /min measured at 25 Pascal pressure differential									
2) total includes leakage to both inside and to outside									

5.0 Marketing strategies

A project with a decidedly different focus proves to be a challenge when it comes to marketing. Add in a weak real estate market and higher build costs and the marketing becomes even more challenging. Marketing strategies employed include the normal local multiple listing service, various print advertising and internet advertising. A community web site was developed to provide important education along with advertising. Another successful effort was establishing a green building task force within the local homebuilders association to raise awareness among builders.

The fact remains that building a high performance house simply costs more. Further, these houses were built with the “less is more” mindset meaning less square footage but greater value than typically found. That translates directly to higher asking sales prices per square foot. In a market that is so realtor driven, it can be incredibly difficult to deal with the “how much per square foot” question. The answer was to bring the focus back on the benefits of the energy efficiency and indoor air quality built into the homes. While some potential buyers came because of the green aspects of the homes, most were not familiar with the concepts. However, once they became informed, they were typically more receptive to the asking prices.

Local realtors were a bit cold to the concept primarily because most just couldn’t grasp this new way of thinking. Those that were interested in the environment and green building have become great allies. Additionally, the local newspaper and print media have been big fans of the project and have run various articles at different stages of development.

At the end of the day when buyers became educated, the higher cost became less of a deterrent.

6.0 Conclusion

From the developer’s viewpoint, the feeling prevails that the right thing was done with this project. In an increasingly competitive market, the product offered stands out among the masses showing a better way. There are no other homes in the local marketplace that compare in terms of indoor air quality, energy efficiency, and build quality. This type of product appraises at higher values, costs less to operate, and provides a more comfortable and healthy environment for living. That reduces a builder’s risk and gives a competitive edge. The additional costs and efforts to obtain the high levels of performance and indoor air quality were well worthwhile. The mechanical subcontractor, in particular, has developed a new understanding and appreciation for the importance of proper design. The lessons learned have allowed them to implement some of these best practices into their other custom and tract projects. From a public good point of view, that’s the real goal, to cultivate best practices that lead the way toward sustainable energy efficiency and energy independence without unwanted side effects.

7.0 Acknowledgements

This work was supported by the U.S. Department of Energy, Office of Building Technologies, Building America Program, with management participation by the National Renewable Energy Laboratory.

8.0 References

ASHRAE 2007. “ANSI/ASHRAE Standard 62.2-2007 Ventilation and Acceptable Indoor Air Quality in Low-Rise Residential Buildings.” American Society of Heating, Refrigerating and Air-Conditioning Engineers, Inc., Atlanta, GA.

- Gleason, B. 2007. "Heating a home with tankless water heater." *Journal of Light Construction*, Volume 25, Number 5, pg.73, February. Hanley Wood, Washington. D.C.
- Grubb, D. 2006. "Installing On-Demand Water Heaters." *Journal of Light Construction*, Volume 24, Number 5, pg.97, February. Hanley Wood, Washington. D.C.
- Henderson, H. Jr., Shirey, D. III, Raustad, R. 2007. "Closing the Gap: Getting Full Performance from Residential Central Air Conditioners; Task 4.1-Develop New Climate-Sensitive Air Conditioner Simulation Results and Cost Benefit Analysis." National Association of State Energy Officials, Alexandria, VA, and New York State Energy Research and Development Authority, Albany, NY. April.
http://www.cdhenenergy.com/reports/STAC_Task4_Report_Apr27.pdf
- Lstiburek, J. 2005. "Builder's Guide to Hot-Humid Climates." ISBN 0-9755127-3-0, Building Science Press, www.buildingsciencepress.com.
- Rudd, A, Lstiburek, J. 2007 "Systems Research on Residential Ventilation." Contract Report to National Renewable Energy Laboratory, Golden, Colorado, for the U.S. Dept. Of Energy, Building America Program, Washington, DC.
- Rudd, A. 2006. "Ventilation Guide." ISBN-10: 0-9755127-6-5, Building Science Press, www.buildingsciencepress.com.
- Ruiz, F. 2007. "On site with pervious concrete." *Journal of Light Construction*, Volume 25, Number 10, pg.85, July. Hanley Wood, Washington. D.C

About this Report

This report was prepared with the cooperation of the U.S. Department of Energy's, Building America Program.

About the Authors

Armin Rudd is a principal engineer at Building Science Corporation in Westford, Massachusetts. More information about Armin Rudd can be found at www.buildingscience.com.

H. Feldman, President, Coastal Habitats, Hilton Head Island, South Carolina.

Direct all correspondence to: Building Science Corporation, 30 Forest Street, Somerville, MA 02143.

Limits of Liability and Disclaimer of Warranty:

Building Science documents are intended for professionals. The author and the publisher of this article have used their best efforts to provide accurate and authoritative information in regard to the subject matter covered. The author and publisher make no warranty of any kind, expressed or implied, with regard to the information contained in this article.

The information presented in this article must be used with care by professionals who understand the implications of what they are doing. If professional advice or other expert assistance is required, the services of a competent professional shall be sought. The author and publisher shall not be liable in the event of incidental or consequential damages in connection with, or arising from, the use of the information contained within this Building Science document.